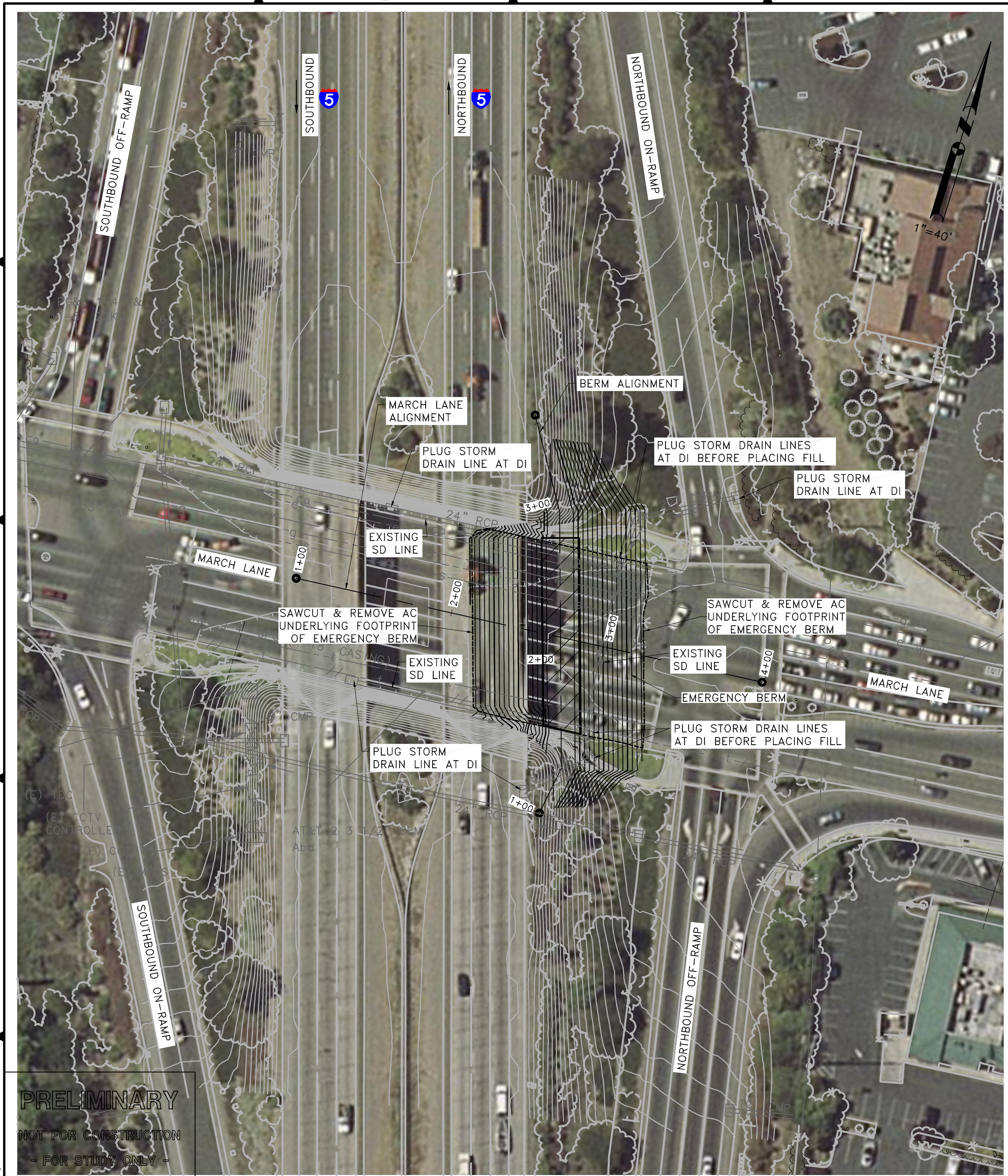
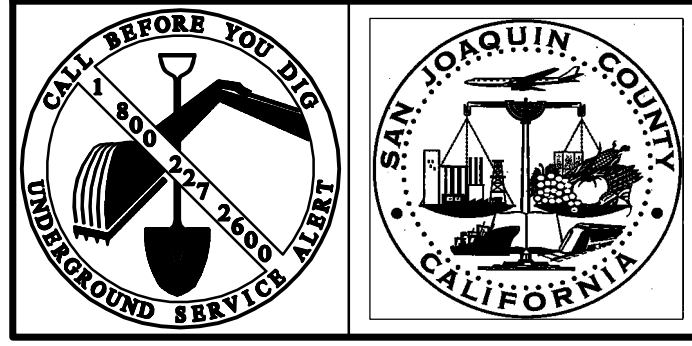


FILE SPEC: P:\1942\_SJC\_Flood\_Maps\020\_FCM\_Contract A-08-460\05\_Civil\300\_Design\091105-MARCH.dwg  
 PLOT DATE: May 07, 2010 - 1:28pm



**PRELIMINARY**  
 NOT FOR CONSTRUCTION  
 FOR STUDY ONLY



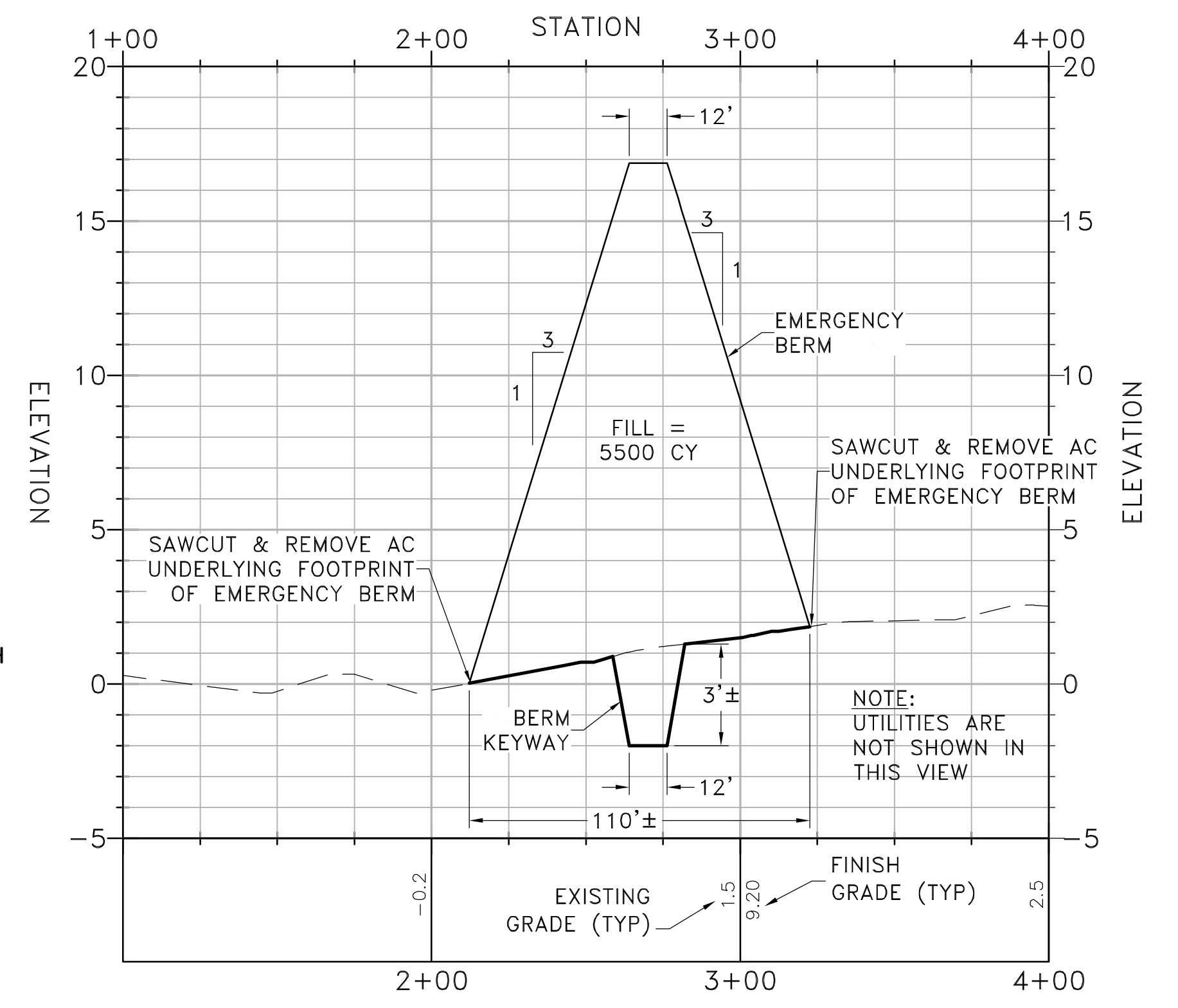
**SAN JOAQUIN COUNTY**  
 OFFICE OF EMERGENCY SERVICES

**KSN** KJELDEN SINNOCK NEUDECK INC.  
 Civil Engineers and Land Surveyors  
 Post Office Box 844  
 711 N. Pershing Avenue  
 Stockton, CA 95201-0844  
 Office: (209) 946-0268  
 Faxes: (209) 946-0296  
 E-mail: KSN@ksninc.com

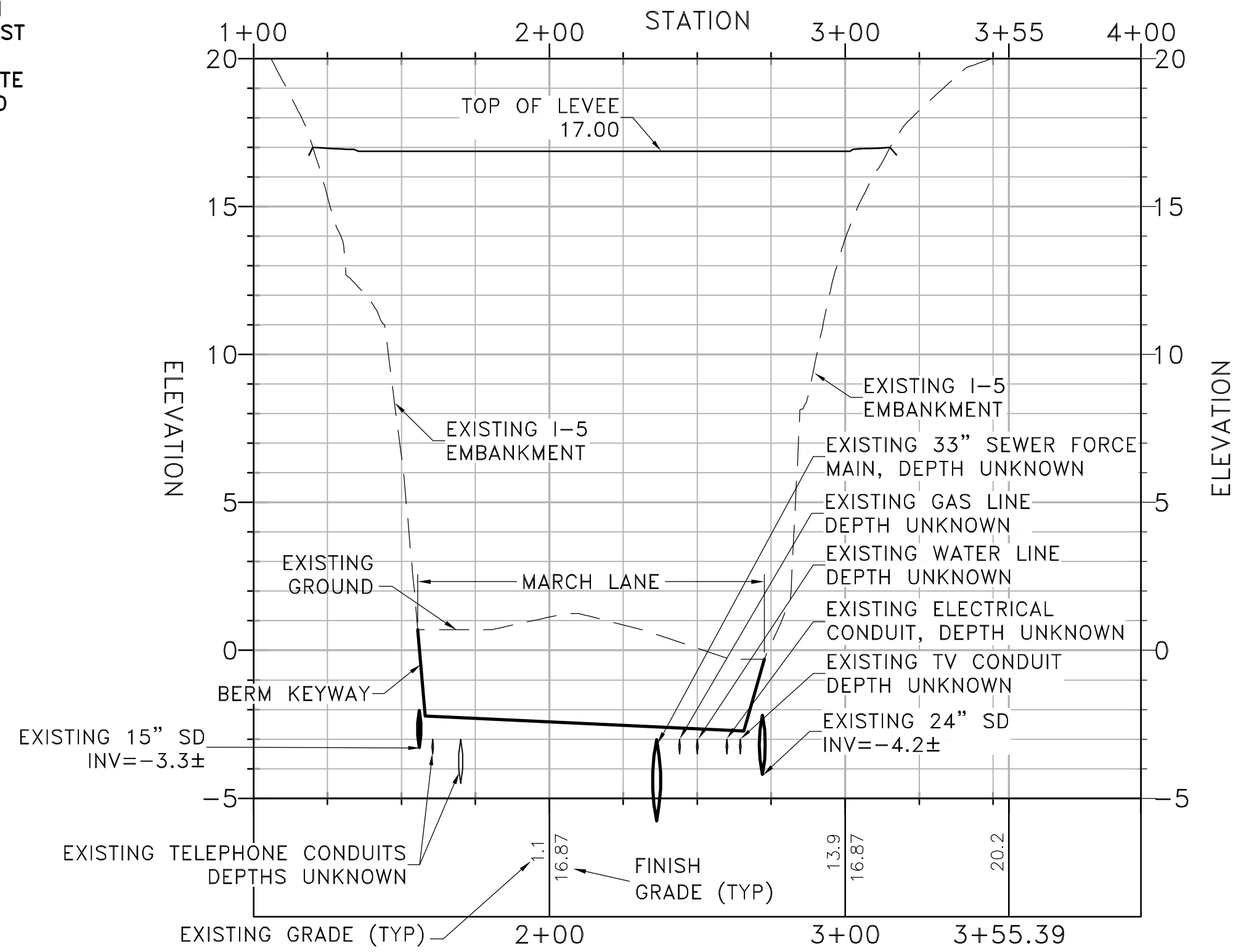
CITY OF STOCKTON  
 SAN JOAQUIN COUNTY  
 CENTRAL STOCKTON EMERGENCY BERM PLAN  
**MARCH LANE EMERGENCY BERM**

Revisions					Design	Scale	Date
No.	Description	Date	By	Aprvd. By			
						AS SHOWN	NOVEMBER 2009
						Original Drawing Scale	Sheet Number
						0 1/2" = 1"	1 Of 1
							Project File No.
							1942-0020

**MARCH LANE PROFILE**  
 SCALE  
 HORIZONTAL: 1"=40'  
 VERTICAL: 1"=4'



**BERM ALIGNMENT PROFILE**  
 SCALE  
 HORIZONTAL: 1"=40'  
 VERTICAL: 1"=4'



- LEGEND**
- AC ASPHALT CONCRETE
  - CA CABLE
  - CCTV CLOSED CIRCUIT TELEVISION
  - CMPA CORRUGATED METAL PIPE ARCH
  - DI DROP INLET
  - E ELECTRICAL
  - FM FORCE MAIN
  - G GAS
  - KV KILOVOLT
  - OH OVERHEAD
  - RCP REINFORCED CONCRETE PIPE
  - S SANITARY SEWER
  - SD STORM DRAIN
  - STL STEEL
  - TDC TOP DEAD CENTER
  - W WATER
- NOTES:**
- CARE SHALL BE TAKEN WHEN EXCAVATING BERM KEY. ADJUST DEPTH OF BERM KEY AS NECESSARY AS TO NOT CREATE CONFLICT WITH UNDERGROUND UTILITIES.
  - PLUG STORM DRAIN LINES AS NOTED.

**BASIS OF ELEVATIONS**  
 ELEVATIONS SHOWN ARE BASED ON THE NATIONAL GEODETIC VERTICAL DATUM OF 1929 (NGVD 29).



FILE SPEC: P:\1942\_SJC\_Flood\_Flight\_Maps\0020\_FCM\_Contract A-08-460\05\_Civil\300\_Design\100105-EBMUD.dwg  
 PLOT DATE: May 07, 2010 - 1:53pm



**LEGEND**

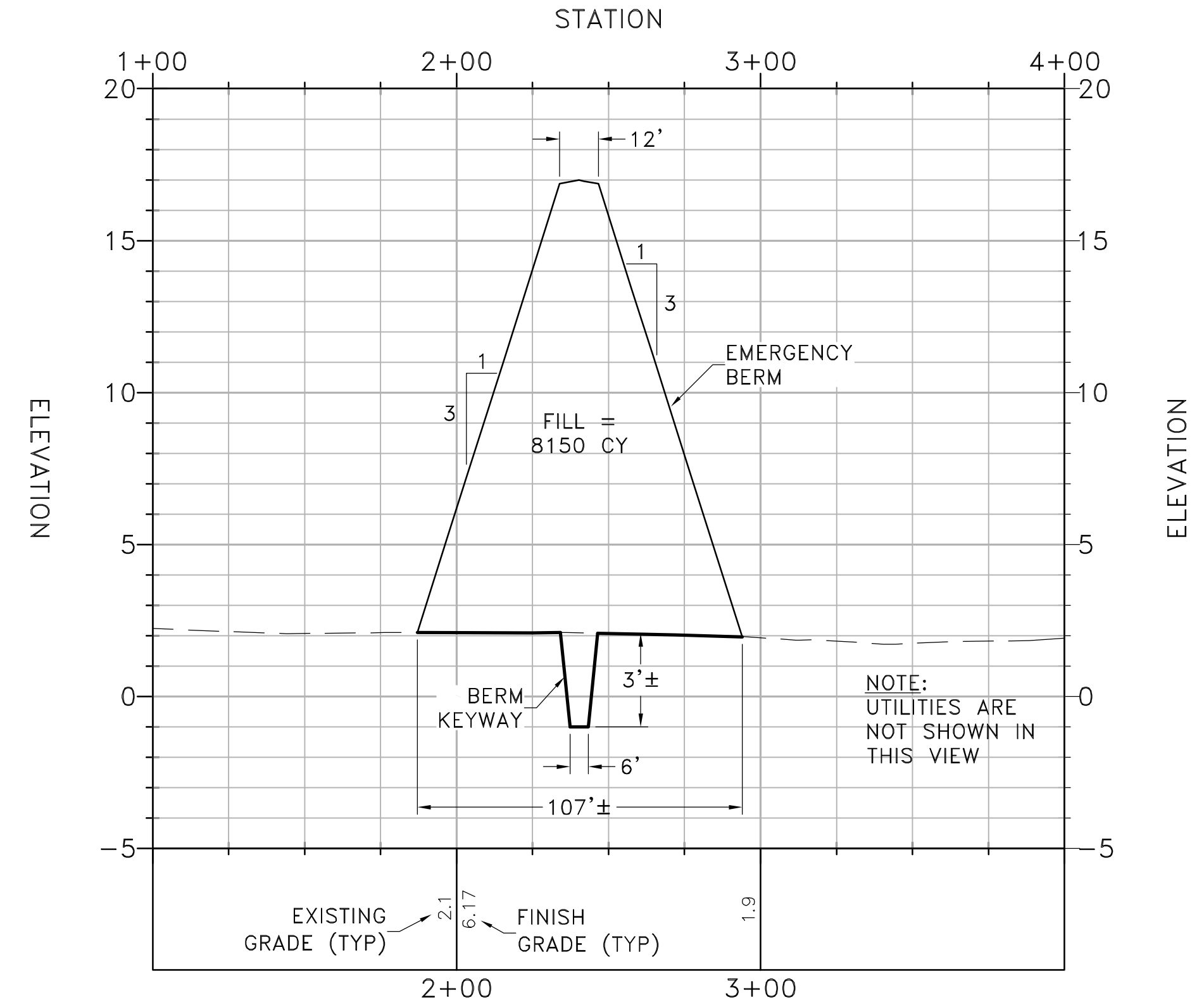
AC	ASPHALT CONCRETE
CA	CABLE
CCTV	CLOSED CIRCUIT TELEVISION
CMPA	CORRUGATED METAL PIPE ARCH
DI	DROP INLET
FM	FORCE MAIN
G	GAS
KV	KILOVOLT
OH	OVERHEAD
PP	GAS LINE (KINDER MORGAN)
RCP	REINFORCED CONCRETE PIPE
S	SANITARY SEWER
SD	STORM DRAIN
STL	STEEL
TDC	TOP DEAD CENTER
W	WATER

- NOTES:**
- CARE SHALL BE TAKEN WHEN EXCAVATING BERM KEY. ADJUST DEPTH OF BERM KEY AS NECESSARY AS TO NOT CREATE CONFLICT WITH UNDERGROUND UTILITIES.
  - PLUG STORM DRAIN LINES AS NOTED.
  - REMOVE ALL VEGETATION WITHIN FOOTPRINT OF BERM.
  - REMOVE ALL FENCING WITHIN FOOTPRINT OF BERM.

**BASIS OF ELEVATIONS**  
 ELEVATIONS SHOWN ARE BASED ON THE NATIONAL GEODETIC VERTICAL DATUM OF 1929 (NGVD 29).

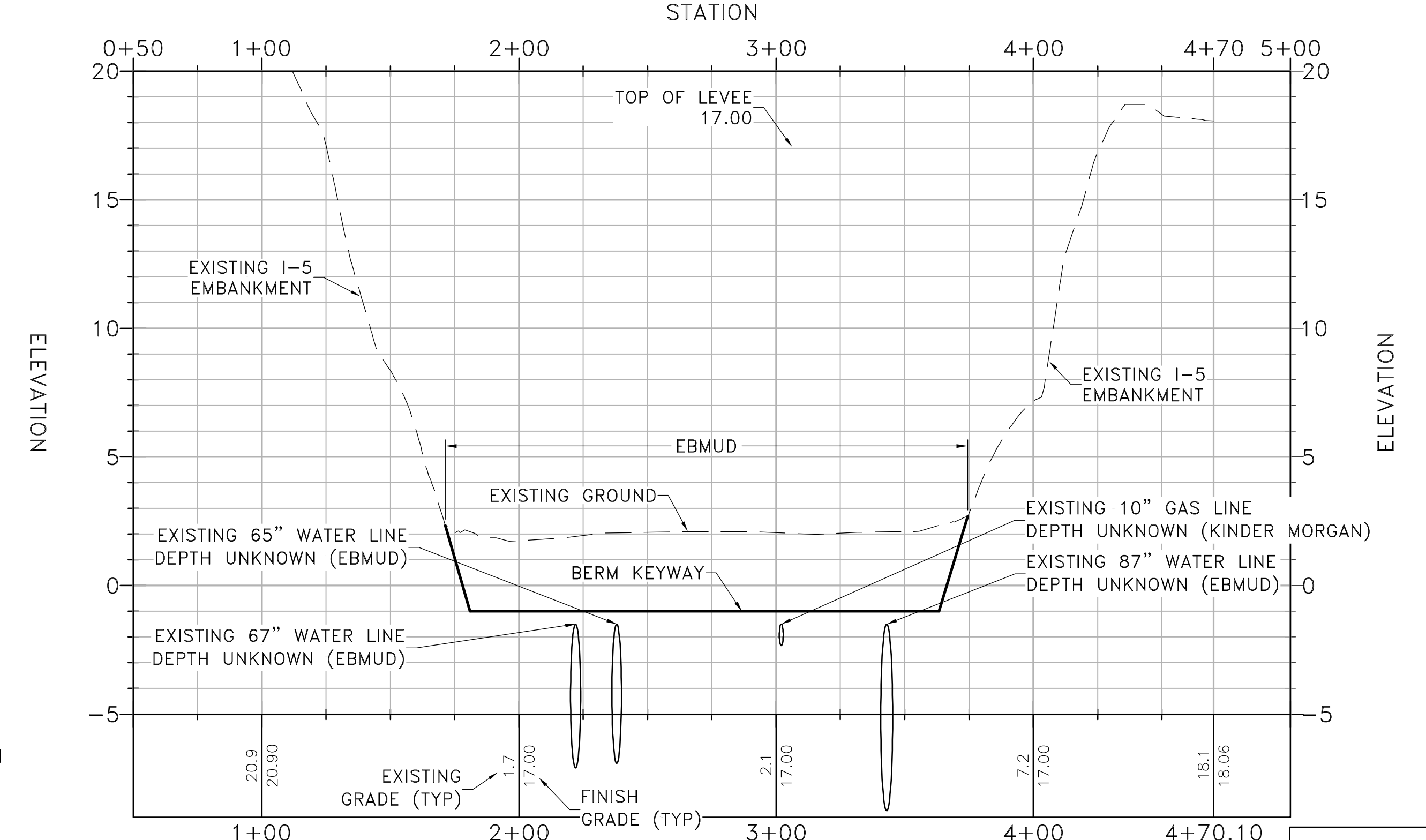
**EBMUD PROFILE**

SCALE  
 HORIZONTAL: 1"=40'  
 VERTICAL: 1"=4'

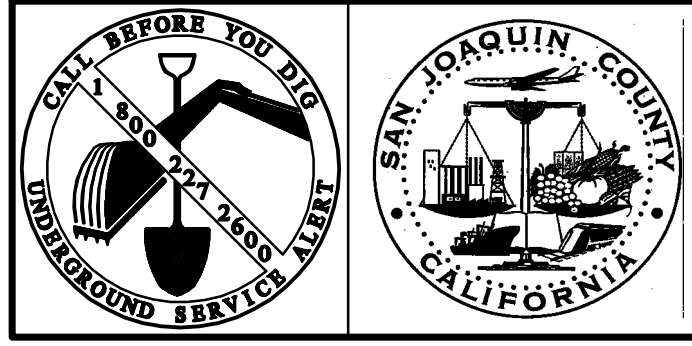


**BERM ALIGNMENT PROFILE**

SCALE  
 HORIZONTAL: 1"=40'  
 VERTICAL: 1"=4'



**PRELIMINARY**  
 NOT FOR CONSTRUCTION  
 - FOR STUDY ONLY -



**SAN JOAQUIN COUNTY**  
 OFFICE OF EMERGENCY SERVICES

**K S N** KJELDEN SINNOCK NEUDECK INC.  
 Civil Engineers and Land Surveyors  
 Post Office Box 844  
 711 N. Pershing Avenue  
 Stockton, CA 95201-0844  
 Office: (209) 946-0268  
 Faxes: (209) 946-0296  
 E-mail: KSN@ksninc.com

CITY OF STOCKTON  
 SAN JOAQUIN COUNTY  
 CENTRAL STOCKTON EMERGENCY BERM PLAN

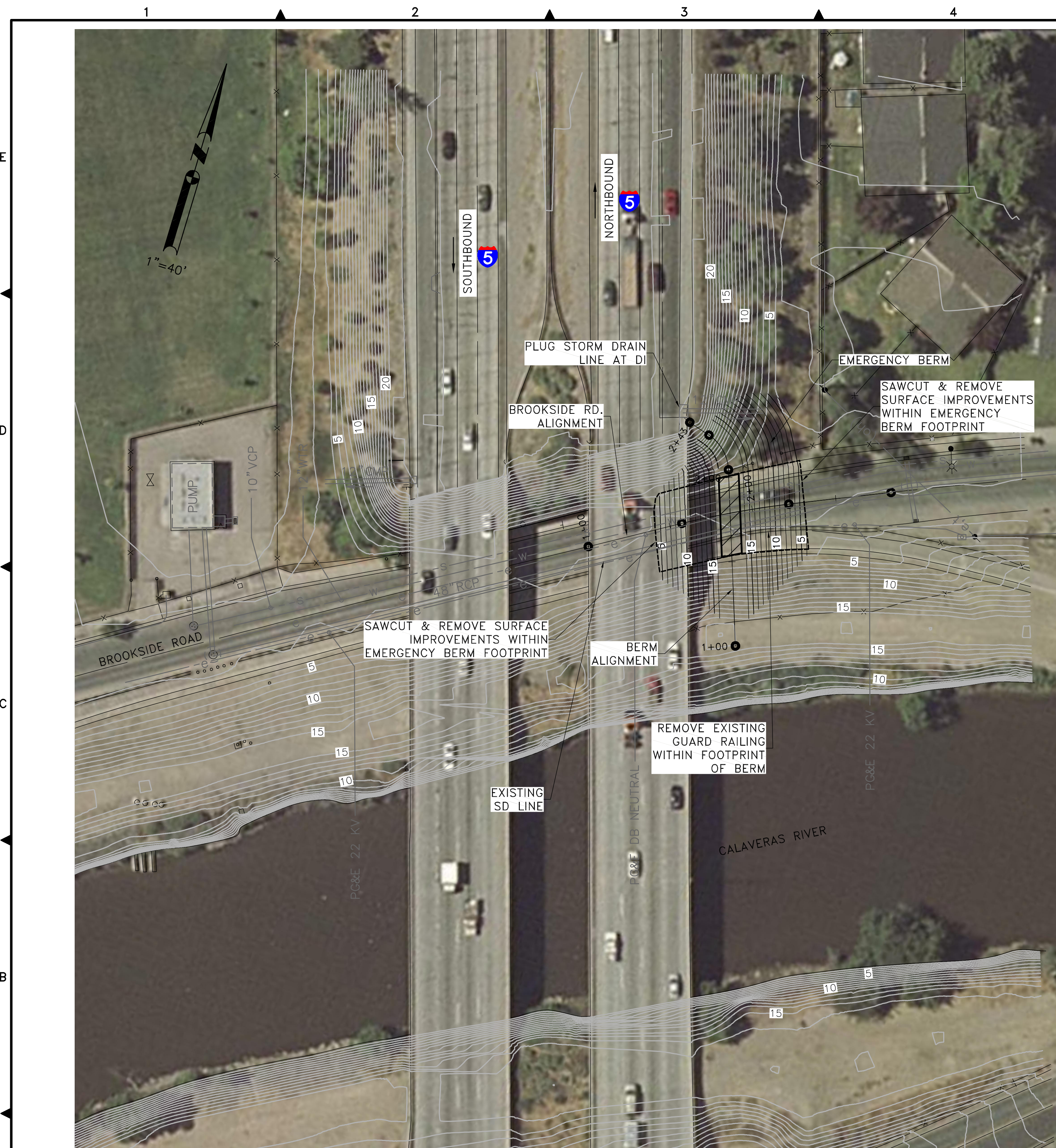
**EBMUD EMERGENCY BERM**

Revisions				
No.	Description	Date	By	Aprvd. By

Design	Scale	Date
Drawn	AS SHOWN	FEBRUARY 2009
Check	Original Drawing Scale 0 1/2" = 1"	Sheet Number <b>1</b> Of 1
Project File No. 1942-0020		



FILE SPEC: P:\1942\_SJC\_Flood\_Flight\_Maps\020\_FCM\_Contract A-08-460\05\_Civil\300\_Design\100105-Brookside.dwg  
 PLOT DATE: May 07, 2010 - 2:35pm



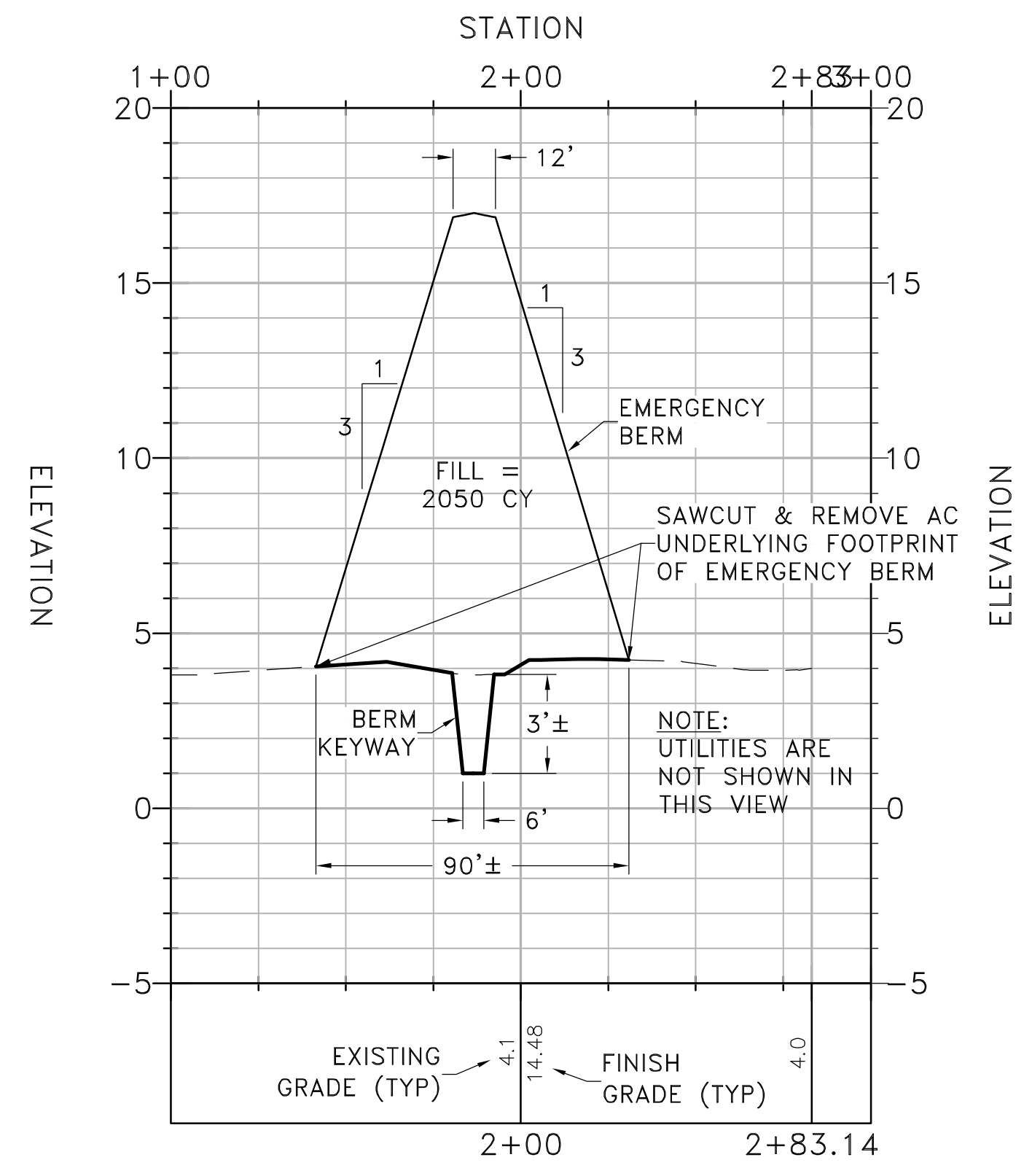
**LEGEND**

AC	ASPHALT CONCRETE
CA	CABLE
CCTV	CLOSED CIRCUIT TELEVISION
CPMA	CORRUGATED METAL PIPE ARCH
DI	DROP INLET
E	ELECTRICAL
FM	FORCE MAIN
G	GAS
KV	KILOVOLT
OH	OVERHEAD
RCP	REINFORCED CONCRETE PIPE
S	SANITARY SEWER
SD	STORM DRAIN
STL	STEEL
TDC	TOP DEAD CENTER
W	WATER

- NOTES:**
- CARE SHALL BE TAKEN WHEN EXCAVATING BERM KEY. ADJUST DEPTH OF BERM KEY AS NECESSARY AS TO NOT CREATE CONFLICT WITH UNDERGROUND UTILITIES.
  - PLUG STORM DRAIN LINES AS NOTED.
  - REMOVE ALL VEGETATION WITHIN FOOTPRINT OF BERM.
  - REMOVE ALL FENCING WITHIN FOOTPRINT OF BERM.

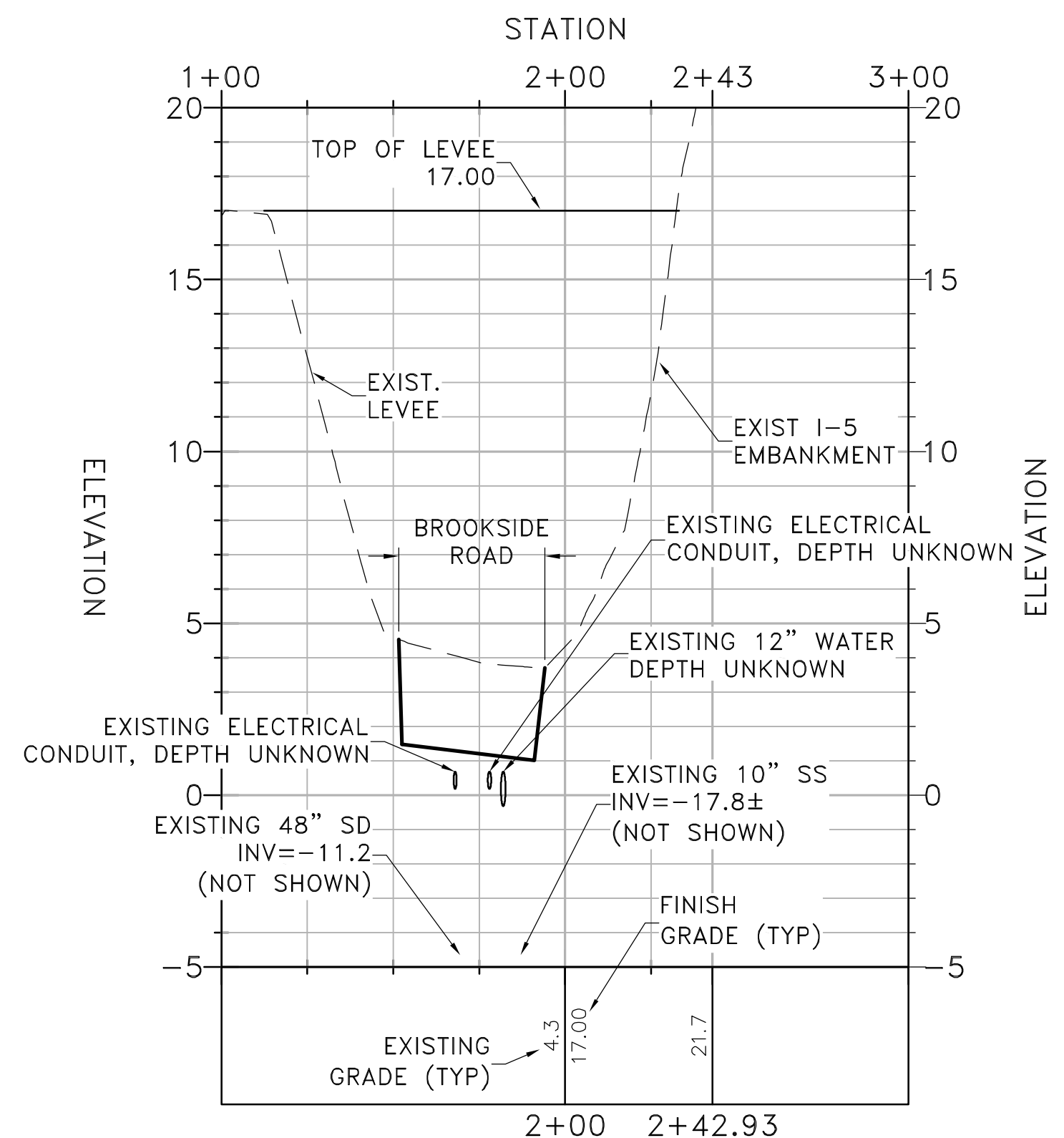
**BROOKSIDE PROFILE**

SCALE  
 HORIZONTAL: 1"=40'  
 VERTICAL: 1"=4'



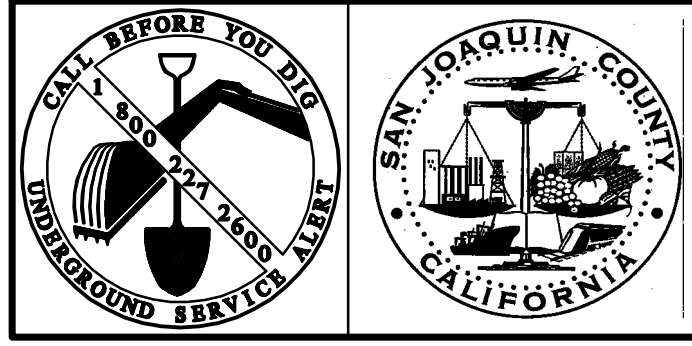
**BERM ALIGNMENT PROFILE**

SCALE  
 HORIZONTAL: 1"=40'  
 VERTICAL: 1"=4'



**BASIS OF ELEVATIONS**  
 ELEVATIONS SHOWN ARE BASED ON THE NATIONAL GEODETIC VERTICAL DATUM OF 1929 (NGVD 29).

**PRELIMINARY**  
 NOT FOR CONSTRUCTION  
 - FOR STUDY ONLY -



**SAN JOAQUIN COUNTY**  
 OFFICE OF EMERGENCY SERVICES

**KSN** KJELDSSEN SINNOCK NEUDECK INC.  
 Civil Engineers and Land Surveyors  
 Post Office Box 844  
 711 N. Pershing Avenue  
 Stockton, CA 95201-0844  
 Office: (209) 946-0268  
 Faxes: (209) 946-0296  
 E-mail: KSN@ksninc.com

**CITY OF STOCKTON  
 SAN JOAQUIN COUNTY  
 CENTRAL STOCKTON EMERGENCY BERM PLAN**

**BROOKSIDE ROAD EMERGENCY BERM**

Revisions					Design	Scale	Date
No.	Description	Date	By	Aprvd. By			
						AS SHOWN	FEBRUARY 2009
						Original Drawing Scale 0 1/2" 1"	Sheet Number <b>1</b> Of 1
							Project File No. 1942-0020